

MANUALS

KSN11 SERIES VER 1.0



SAFETY WARNING

IT IS IMPORTANT TO KNOW THIS AIS PILOT PLUG DEVICE IS FOR REFERENCE PURPOSES ONLY. YOU ASSUME ALL RESPONSIBILITY AND RISK FOR THE USE OF THIS DEVICE. PLEASE KEEP LOOKOUT IN SURROUNDING DURING PILOT VESSEL.

SPECIFICATIONS

Built-in polarity automatic corrector;
Built-in Li-Poly battery duration 40hrs;
Built-in WiFi antenna 3db
WiFi allow max 3 users connected at same time;
WiFi working at AP mode;
Wireless Range 300 meters (KSN11-F only);
Light design dimension 85mm*25mm*29mm;
Unit Weight 80g

PACKAGE LIST:

KSN11-W:

AIS Pilot Plug Unit.....1pcs
DC charger DC5V 1A.....1pcs
Micro USB cable for charger...1pcs
User Guide.....1pcs

KSN11-F:

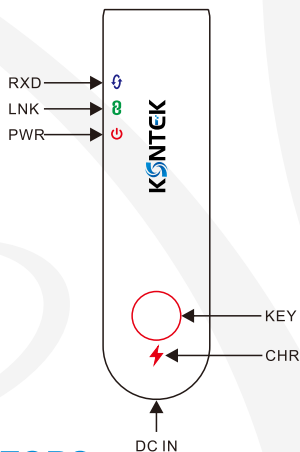
AIS Pilot Plug Unit.....1pcs
USB dongle(KSN11-FU).....1pcs
DC charger DC5V 1A.....1pcs
Micro USB cable for charger...1pcs
User Guide.....1pcs

KSN11-U:

AIS Pilot Plug USB cable.....1pcs
User Guide.....1pcs

1

KSN11W / KSN11F DIAGRAM



INDICATORS

RXD: Blink **Blue** after connect to AIS Pilot Plug;
LNK: Light **Green** after WiFi connected;
PWR: Light **RED** after Power ON;
CHR: Battery charging is **RED**, Full is **Green**;
KEY: Power ON/OFF;
DC IN: DC charger input 5.0v 1A.
(LNK not available for Model KSN11-F)

OPERATIONS

Hold on the KEY for 2s to turn ON and 2s OFF;
Unit will RESET once after connected charger;
PWR will blinking after low battery.

Getting connection:

PC,iOS device,Mobile searching WiFi network
SSID:"**KSN11-W**" , connected with
Password:"**12345678**"
Navigation software or App settings::
Protocol:**TCP**
HOST IP Address: **192.168.1.1**
PORT:**8888**

2

KSN11F / KSN11FU

KSN11-F and KSN11-FU are one set for wireless, KSN11F is a transmitter connect to ship AIS Pilot Plug, KSN11FU is an USB dongle connect to PC USB port as receiver. The range can reach to 300 meters at open space.

KSN11U

KSN11-U is an AIS Pilot Plug USB cable.

INSTALL USB DRIVER

Please install USB driver first before to use KSN11-FU and KSN11-U. PC will find new hardware after connect USB port, then select automatic download from Internet or download Driver at our website.

PC will create a Serial COM Port after driver load successful, goto Windows "Device Manager" to find out this COM port number.

Right click on "Computer-Properties-Device Manager-Port"

In Port should be has a device name as:

"Silicon Labs Cp210x USB to UART Bridge (COMx)"

Double click on this device then change the Baud rate to **38400bps** at "Port Setting"

Assign this COM number to Navigation Software.



KSNTEK Electronics Technology QHD Co.,Ltd.

WWW.KSNTEK.COM

E-mail: info@ksntek.com

3